



WORK BENCHES & STORAGE SYSTEMS

A modular system of work benches, cabinets, tool drawers, metal pegboard and shelving. Designed to grow with you.



STEELSPAN
STORAGE SYSTEMS

WWW.STEELSPAN.COM.AU

1300 851 377

mail@steelspan.com.au

ABOUT THE SYSTEM



**INDUSTRIAL
STRENGTH**



**QUICK & EASY
INSTALLATION**



**SAFE &
SECURE**



**AUSSIE OWNED
& DESIGNED**



Steelspan is Australia's trusted team of experts in storage solutions. Whether you are looking to organise your garage, workshop, warehouse, retail or office space our customisable and expandable solutions are ready to be delivered nation wide.

We are a family run business with decades of combined experience and have helped thousands of customers find the perfect storage solution.

Designed in Australia, the modular Steelspan Storage System comprises interchangeable components that can be configured to meet the demands of any workspace.

All components are engineered to last; featuring a high shelf load capacity, powder coated steel construction, high gauge sheet metal cabinet construction, height adjustable shelves, laminate or stainless steel work benches and industrial strength hinges, locks and draw rollers. All Steelspan cabinets and draws are lockable and vermin proof so your tools and belongings will be safe and secure.

The robust, modular and free-standing nature of Steelspan modules offers the flexibility to cater for a broad range of applications and installation is quick and easy.



**HAVING PURCHASED THESE IN THE PAST FOR A BUSY WORKSHOP OF 40 STAFF AND SEEING HOW WELL THEY WERE BUILT AND LASTED, I BOUGHT SOME MORE FOR MY PERSONAL GARAGE. NOW EVEN BOUGHT SOME MORE FOR A NEW WORKSHOP! CANNOT FAULT THE QUALITY OF THESE PRODUCTS! WELL DONE STEELSPAN!
- BEN K.**



WHY STEELSPAN?

- ✓ Ready access to stored items instead of offsite storage.
- ✓ Modular free-standing design means no fixing to walls.
- ✓ Safe, secure and vermin proof.
- ✓ Built to last and backed by a 3 year warranty.
- ✓ Modular design means customisable, expandable and easily relocatable.
- ✓ An Australian owned family business.
- ✓ Have the best looking garage on the street.



FEATURED PRODUCTS

Our best selling modules and their features.

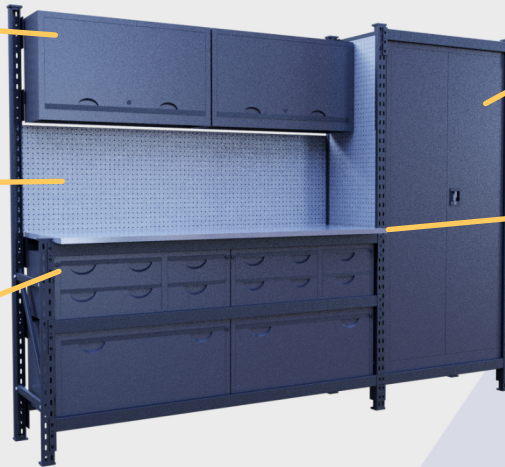
MODULE 10 WITH OVERHEAD CABINETS

Modular storage system including a combination of work bench, tool drawers, cabinet, overhead cabinets and metal pegboard. Available in Blue or Dark Grey.

Overhead cabinets with single adjustable shelf and twin gas strut door lift.

Pegboard tool display. Available in Aluminium Diamond Plate or Stainless Steel.

Quality ball bearing draw runners.



Secure key lockable drawers and cabinets. Cabinet comes with four adjustable shelves or option of Tool Cabinet.

Workbench available in Laminated Timber or Stainless Steel finish.

Modular end frames compatible with Steelspan modules and shelving for expandability.

MODULE 12 DOUBLE

Modular storage system including a combination of metal frames and lockable cabinets. Available in White, Blue or Dark Grey.

4 adjustable shelves included with the option of adding more.

Shelf load capacity of 100kg/UDL per shelf level.



Powder coated steel construction.

Secure key lockable cabinets.

Modular end frames compatible with Steelspan modules and shelving for expandability.

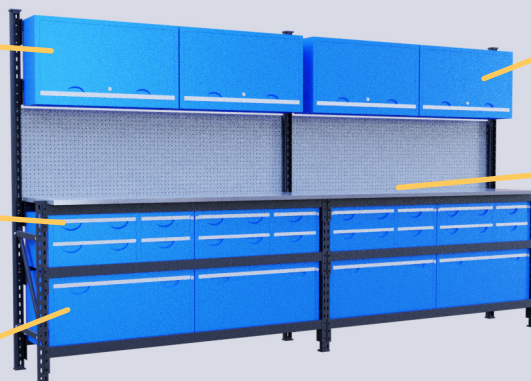
MODULE 8 DOUBLE WITH OVERHEAD CABINETS

Modular storage system including a combination of work bench, tool drawers, overhead cabinets and metal pegboard.

Double the overhead cabinet storage with single adjustable shelves.

Double the draw storage all of which are key lockable and come with tray dividers.












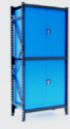






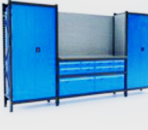

Quality ball bearing draw runners.



Over heads feature twin gas struts door lift.

Double the workbench and pegboard space with the option of Stainless Steel finish.

Modular end frames for adding shelving or cabinets later.

IMAGE	SKU	NAME	DIMENSIONS	IMAGE	SKU	NAME	DIMENSIONS
	M10-OHC-B-SS-SPB2	Module 10 with Overhead Cabinets - Fully Loaded Stainless Steel	Height: 2100mm Width: 2880mm Depth: 500mm		M7	Module 7	Height: 2100mm Width: 1920mm Depth: 500mm
	M10-OHC-B-SS-PB2	Module 10 with Overhead Cabinets - Fully Loaded Aluminium	Height: 2100mm Width: 2880mm Depth: 500mm		M7-OHC	Module 7 with Overhead Cabinets	Height: 2100mm Width: 1920mm Depth: 500mm
	M10	Module 10	Height: 2100mm Width: 2880mm Depth: 500mm		M6	Module 6	Height: 2100mm Width: 1020mm Depth: 500mm
	M10-OHC	Module 10 with Overhead Cabinets	Height: 2100mm Width: 2880mm Depth: 500mm		M6-OHC	Module 6 with Overhead Cabinets	Height: 2100mm Width: 1020mm Depth: 500mm
	M12-S	Module 12 - Single	Height: 2100mm Width: 1020mm Depth: 500mm		M11-D	Module 11 - Double	Height: 2100mm Width: 1920mm Depth: 500mm
	M12-D	Module 12 - Double	Height: 2100mm Width: 1920mm Depth: 500mm		M11-S	Module 11 - Single	Height: 2100mm Width: 1020mm Depth: 500mm
	M8	Module 8	Height: 2100mm Width: 1920mm Depth: 500mm		M1	Module 1 - Full Bay	Height: 2100mm Width: 1020mm Depth: 500mm
	M8-OHC	Module 8 with Overhead Cabinets	Height: 2100mm Width: 1920mm Depth: 500mm		M1-C	Module 1 - Connected Bay	Height: 2100mm Width: 1020mm Depth: 500mm
	M8-OHC-D	Module 8 Double with Overhead Cabinets	Height: 2100mm Width: 3780mm Depth: 500mm		M2	Module 2 - Full Bay	Height: 2100mm Width: 1920mm Depth: 500mm
	M17	Module 17	Height: 2100mm Width: 3840mm Depth: 500mm		M2-C	Module 2 - Connected Bay	Height: 2100mm Width: 1860mm Depth: 500mm

* Colour options can include: blue, dark grey and white.

* Finish options can include: Work Bench - laminate or stainless steel, Pegboard - aluminium or stainless steel.

IMAGE	SKU	NAME	DIMENSIONS	IMAGE	SKU	NAME	DIMENSIONS
	M17-OHC	Module 17 with Overhead Cabinets	Height: 2100mm Width: 3840mm Depth: 500mm		M19-1800-D4-S1	Module 19 - 1800 - D4 - S1	Height: 1025mm Width: 1920mm Depth: 600mm
	M17-OHC-D	Module 17 Double with Overhead Cabinets	Height: 2100mm Width: 5700mm Depth: 500mm		M20-900-D4-S1	Module 20 - 900 - D4 - S1	Height: 1025mm Width: 1020mm Depth: 1200mm
	M18	Module 18	Height: 2100mm Width: 5640mm Depth: 500mm		M4	Module 4	Height: 2100mm Width: 1010mm Depth: 500mm
	M18-OHC	Module 18 with Overhead Cabinets	Height: 2100mm Width: 5640mm Depth: 500mm		M3	Module 3	Height: 2100mm Width: 1020mm Depth: 500mm
	M18-OHC-D	Module 18 Double with Overhead Cabinets	Height: 2100mm Width: 7500mm Depth: 500mm		M20-900	Module 20	Height: 1025mm Width: 1020mm Depth: 1200mm
	M20-1800	Module 20 - 1800	Height: 1025mm Width: 1920mm Depth: 1200mm		M19-900	Module 19 - 900	Height: 1025mm Width: 1020mm Depth: 600mm
	M19-1800	Module 19 - 1800	Height: 1025mm Width: 1920mm Depth: 600mm		M5	Module 5	Height: 2100mm Width: 1020mm Depth: 500mm
	M5-OHC	Module 5 with Overhead Cabinet	Height: 2100mm Width: 1020mm Depth: 500mm		M19-900-OPEN	Module 19 - 900 - Open	Height: 1025mm Width: 1020mm Depth: 600mm
	M9	Module 9	Height: 2100mm Width: 2865mm Depth: 500mm		M19-1800-S1	Module 19 - 1800 - S1	Height: 1025mm Width: 1920mm Depth: 600mm
	M9-OHC	Module 9 with Overhead Cabinet	Height: 2100mm Width: 2865mm Depth: 500mm		M19-1800-S2	Module 19 - 1800 - S2	Height: 1025mm Width: 1920mm Depth: 600mm


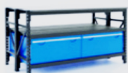




* Colour options can include: blue, dark grey and white.

* Finish options can include: Work Bench - laminate or stainless steel, Pegboard - aluminium or stainless steel.

IMAGE	SKU	NAME	DIMENSIONS	IMAGE	SKU	NAME	DIMENSIONS
	M12-L-D	Module 12 - Locker - Double	Height: 2100mm Width: 1020mm Depth: 500mm		M19-1800-D1	Module 19 - 1800 - D1	Height: 1025mm Width: 1920mm Depth: 600mm
	M12-L-Q	Module 12 - Locker - Quad	Height: 2100mm Width: 1920mm Depth: 500mm		M19-1800-D4	Module 19 - 1800 - D4	Height: 1025mm Width: 1920mm Depth: 600mm
	M13	Module 13	Height: 2100mm Width: 1920mm Depth: 500mm		M19-1800-OPEN	Module 19 - 1800 - Open	Height: 1025mm Width: 1920mm Depth: 600mm
	M14	Module 14	Height: 2100mm Width: 5640mm Depth: 500mm		M20-900-S1	Module 20 - 900 - S1	Height: 1025mm Width: 1020mm Depth: 1200mm
	M14-OHC	Module 14 with Overhead Cabinets	Height: 2100mm Width: 5640mm Depth: 500mm		M20-900-S2	Module 20 - 900 - S2	Height: 1025mm Width: 1020mm Depth: 1200mm
	M15	Module 15	Height: 2100mm Width: 5640mm Depth: 500mm		M20-900-D4-	Module 20 - 900 - D4	Height: 1025mm Width: 1020mm Depth: 1200mm
	M15-OHC	Module 15 with Overhead Cabinets	Height: 2100mm Width: 5640mm Depth: 500mm		M20-900-D1-S1	Module 20 - 900 - D1 - S1	Height: 1025mm Width: 1020mm Depth: 1200mm
	M16	Module 16	Height: 2100mm Width: 5640mm Depth: 500mm		M20-900-OPEN	Module 20 - 900 - Open	Height: 1025mm Width: 1020mm Depth: 1200mm
	M16-OHC	Module 16 with Overhead Cabinets	Height: 2100mm Width: 5640mm Depth: 500mm		M20-1800-S1	Module 20 - 1800 - S1	Height: 1025mm Width: 1920mm Depth: 1200mm
	M19-900-S1	Module 19 - 900 - S1	Height: 1025mm Width: 1020mm Depth: 600mm		M20-1800-S2	Module 20 - 1800 - S2	Height: 1025mm Width: 1920mm Depth: 1200mm
	M19-900-S2	Module 19 - 900 - S2	Height: 1025mm Width: 1020mm Depth: 600mm		M20-1800-D4	Module 20 - 1800 - D4	Height: 1025mm Width: 1920mm Depth: 1200mm


* Colour options can include: blue, dark grey and white.

* Finish options can include: Work Bench - laminate or stainless steel, Pegboard - aluminium or stainless steel.

IMAGE	SKU	NAME	DIMENSIONS	IMAGE	SKU	NAME	DIMENSIONS
	M19-900-D1	Module 19 - 900 - D1	Height: 1025mm Width: 1020mm Depth: 600mm		M20-1800-D1-S1	Module 20 - 1800 - D1 - S1	Height: 1025mm Width: 1920mm Depth: 1200mm
	M19-900-D4	Module 19 - 900 - D4 - B	Height: 1025mm Width: 1020mm Depth: 600mm		M20-1800-D4-S1	Module 20 - 1800 - D4 - S1	Height: 1025mm Width: 1920mm Depth: 1200mm
	M19-900-D4-S1	Module 19 - 900 - D4 - S1	Height: 1025mm Width: 1020mm Depth: 600mm		M20-1800-OPEN	Module 20 - 1800 - Open	Height: 1025mm Width: 1920mm Depth: 1200mm

* Colour options can include: blue, dark grey and white.


* Finish options can include: Work Bench - laminate or stainless steel, Pegboard - aluminium or stainless steel.




DID YOU KNOW?

We have modelled almost all of our systems in 3D - which means you can use Augmented Reality to see how our products will fit into your space!


Simply head to a product on our website on your phone and hit View in your space.



Or scan this QR code to try it out with our Module 10 with Overhead Cabinets - Loaded Stainless Steel!

☰

👤
🛒 0

🔍



View in your space

