



ASSEMBLY INSTRUCTIONS



Module 12 - Single



Module 12 - Double

CABINET MODULES

Module 12

USING A MODULE 12 SINGLE AS AN EXAMPLE

YOU'LL NEED



8MM



PH

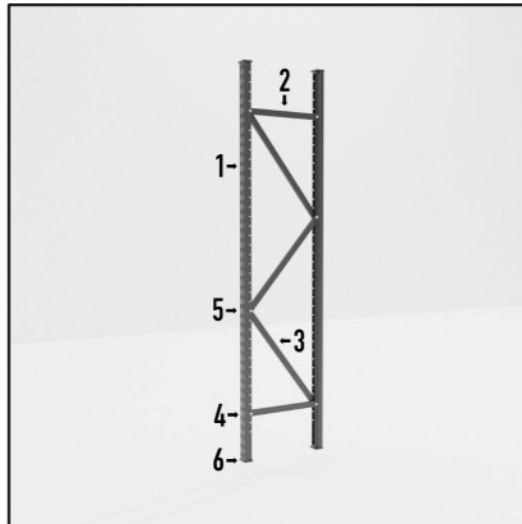


10MM



14MM

ASSEMBLE THE END FRAMES

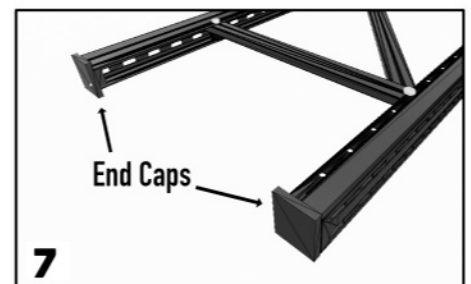
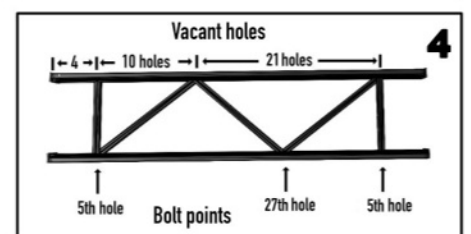
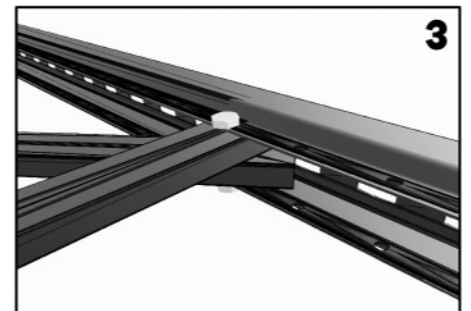
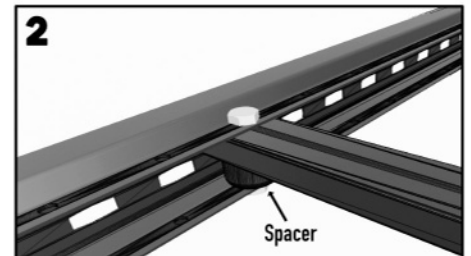


END FRAME

1. 2100MM UPRIGHT X 2
2. HORIZONTAL STAY X 2
3. DIAGONAL STAY X 3
4. SPACER X 2
5. NUT, BOLT & WASHER X 6
6. END CAP X 4

END FRAME

1. Lay the 2100mm Uprights parallel to one another on a flat surface.
2. Start by placing the Horizontal Stay inside the first 2100mm Upright lining it up with the 5th hole from the bottom of the Upright. Use a Spacer to fill the gap inside the end frame and fasten loosely with a bolt, washer and nut.
3. On the opposite 2100mm Upright, line up the other side of the Horizontal Stay inside the Upright at the 5th hole from the bottom overlapped with one Diagonal Stay and fasten loosely with a bolt washer and nut.
4. Leave a gap of 10 holes and inside the first Upright at the 11th hole push the bolt through the other end of the Diagonal Stay as well as another Diagonal Stay. Fasten loosely with a nut and washer.
5. On the second Upright leave a gap of 21 holes and fasten loosely the other end of the Diagonal Stay overlapped with a new Diagonal Stay with a bolt, washer and nut.
6. Return the end of this Diagonal Stay to the first Upright and leaving a gap of 21 holes secure it loosely with a Horizontal Stay with a bolt, washer and nut. There should be a distance 4 holes from the top i.e securing it in the 5th hole.
7. Tighten all of the nuts and bolts and place the End Caps in the top and bottom of both the 2100mm Uprights.



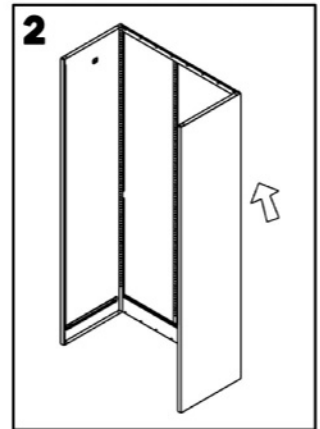
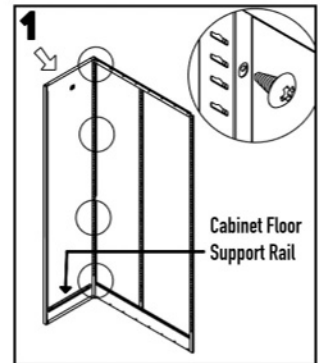
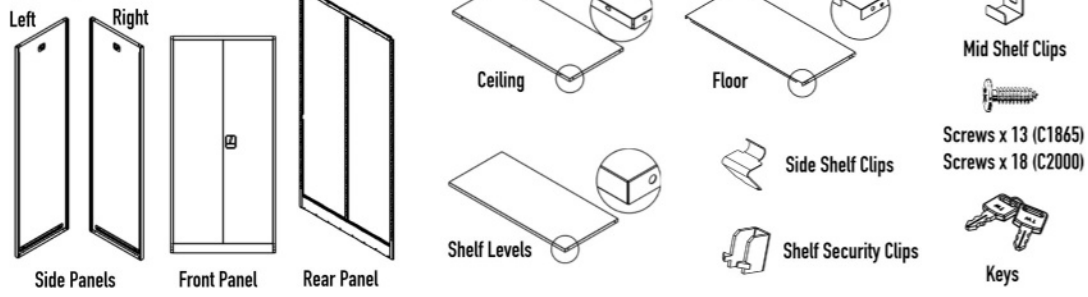
END FRAME



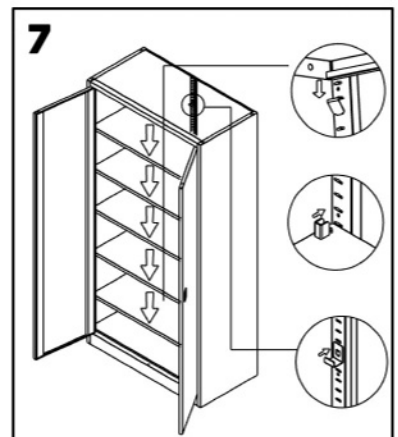
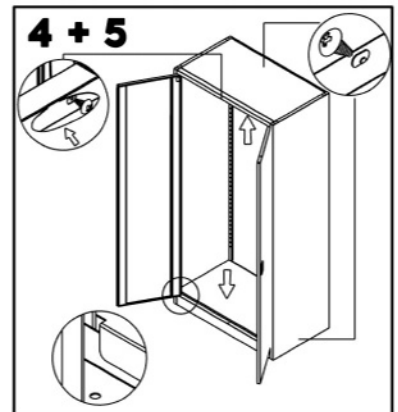
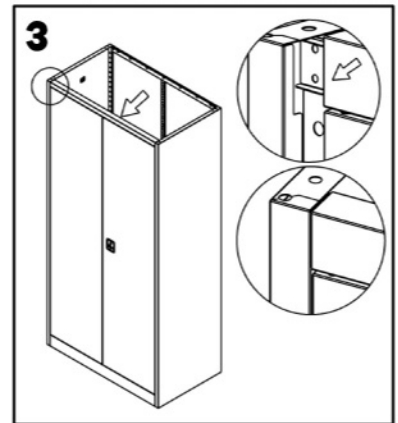
COMPLETE

CABINET 1865 & 2000

Supplied per cabinet:



- Carefully stand the Rear Panel upright against a wall or surface. Slide the Left Panel into position as shown, making sure the the folded return hooks around the back of the Rear Panel and the screw holes line up. Be sure that the panels are oriented as pictured with the Cabinet Floor Support Rail of the Left Panel toward the ground. Secure the Left Side Panel to the Rear Panel internally with screws - 3 for Cabinet 1865 and 4 for Cabinet 2000.
- Repeat this step again for the right panel, again making sure that the Cabinet Floor Support Rail is at the base of the cabinet and the screw holes line up. The cabinet should now stand without support.
- Place the Front Panel inside the two Side Panels and bring the Front Panel forward into the folded returns as shown. Make sure the Front Panel is seated forward at both the top and the bottom on both sides.
- Using the key unlock the door of the Front Panel. The Ceiling Panel can be identified by 3 holes on the front and back for Cabinet 1865s or 4 holes front and back for Cabinet 2000s. Angle the Ceiling Panel inside the cabinet structure with the returns facing downward and push it upward into the cabinet structure starting with the front edge. The ceiling panel will line up with holes on the front panel and rear panel - secure it with screws (3 front and 3 back for Cabinet 1865s, 4 front and 4 back for Cabinet 2000s).
- The Floor Panel can be identified by having two cutouts on the front edge. Angle the Floor Panel inside the cabinet with the cutouts front facing. Clip the rear and sides into the Cabinet Floor Support Rails of the Side and Rear Panels. Make sure the sides and rear of the Floor Panel are seated inside the Cabinet Floor Support Rails before fitting it into the Front Panel as shown.
- Angle the cabinet backwards so the underside is accessible and fix the Floor Panel into place with 1 screw for the Cabinet 1865 and 2 screw for the Cabinet 2000. These go through the Floor Panel into the Rear Panel in the holes provided.
- At the desired shelf heights fit the Side Shelf Clips into the Front and Rear Panels as shown. At the same heights fit the Middle Shelf Clip into the centre of the Rear Panel as shown. Angle each shelf level into place on top of the clips - it's easiest to do one shelf level at a time from the bottom upward. Optional: secure each shelf level into place with the plastic Shelf Security Clips as shown.

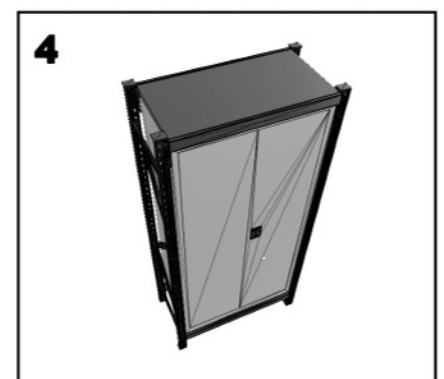
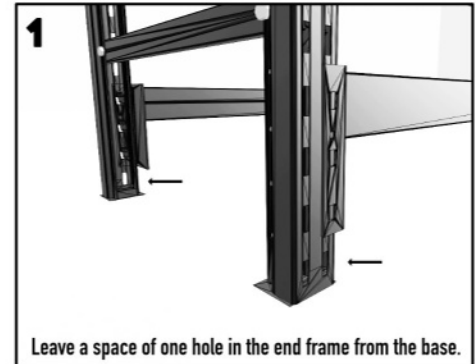
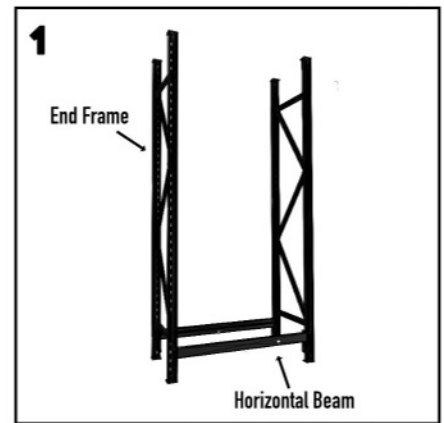


CABINET COMPLETE

ASSEMBLE THE MODULE

NOTE: Be mindful when opening the packaging. The cabinets have keys which are taped to unit and Horizontal Beams have Beam Pins. It is a good idea to unlock each cabinet as you go and place the relevant keys inside and the Beam Pins all in one accessible location.

1. Fit the 1800 or 900 Beams into the End Frames, leaving a space of one hole from the base of the End Frames. Use the L shaped Beam Pins included in the beam packaging to secure each Beam to each End Frame.
2. Carefully place the Cabinet 1865/s into the recess of the Horizontal Beams.
3. Secure two Horizontal Beams directly above the Cabinet 1865/s and lock in place with Beam Pins.
4. Place the Black Metal Shelf/Shelves in the recess of the Horizontal Beams above the Cabinet 1865/s.



MODULE COMPLETE



ENJOY YOUR NEW STORAGE SYSTEM!