



ASSEMBLY INSTRUCTIONS



STEEL CABINETS

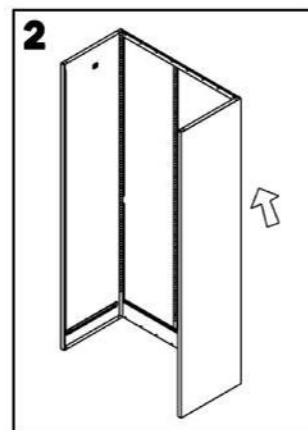
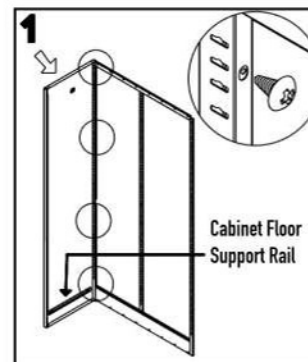
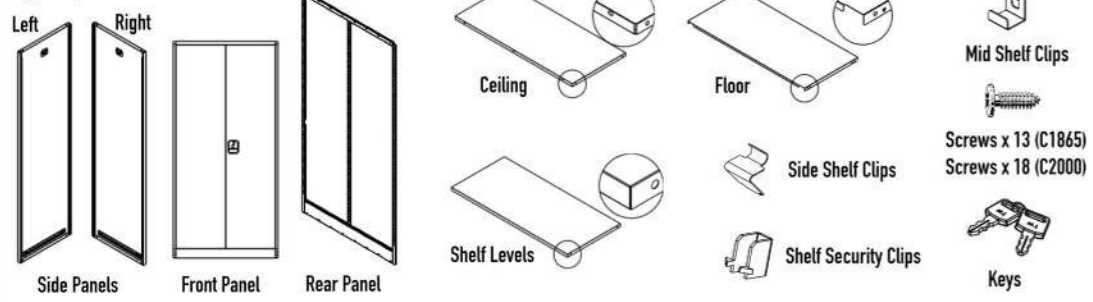
Cabinet 1865 & Cabinet 2000

YOU'LL NEED



CABINET 1865 & 2000

Supplied per cabinet:



1. Carefully stand the Rear Panel upright against a wall or surface. Slide the Left Panel into position as shown, making sure the the folded return hooks around the back of the Rear Panel and the screw holes of both the Rear and Side panel line up. Be sure that the panels are oriented as pictured with the Cabinet Floor Support Rail of the Left Panel toward the ground. Secure the Left Side Panel to the Rear Panel internally with screws – 3 for Cabinet 1865 and 4 for Cabinet 2000.

2. Repeat this step again for the right panel, again making sure that the Cabinet Floor Support Rail is at the base of the cabinet and the screw holes line up. The cabinet should now stand without support.

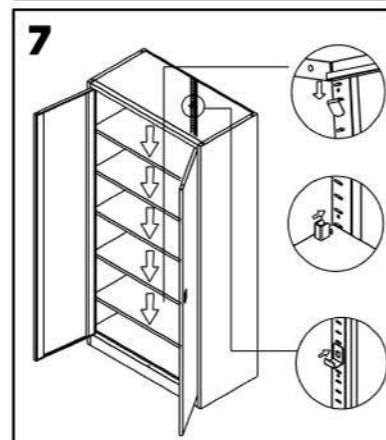
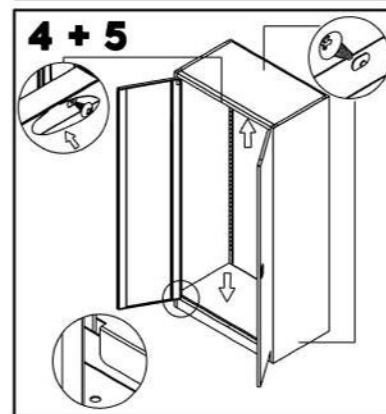
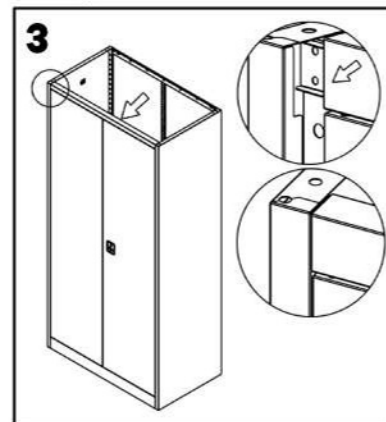
3. Place the Front Panel inside the two Side Panels and bring the Front Panel forward into the folded returns as shown. Make sure the Front Panel is seated forward at both the top and the bottom on both sides.

4. Using the key unlock the door of the Front Panel. The Ceiling Panel can be identified by 3 holes on the front and back for Cabinet 1865s or 4 holes front and back for Cabinet 2000s. Angle the Ceiling Panel inside the cabinet structure with the returns facing downward and push it upward into the cabinet structure starting with the front edge. The ceiling panel will line up with holes on the front panel and rear panel – secure it with screws (3 front and 3 back for Cabinet 1865s, 4 front and 4 back for Cabinet 2000s).

5. The Floor Panel can be identified by having two cutouts on the front edge. Angle the Floor Panel inside the cabinet with the cutouts front facing. Clip the rear and sides into the Cabinet Floor Support Rails of the Side and Rear Panels. Make sure the sides and rear of the Floor Panel are seated inside the Cabinet Floor Support Rails before fitting it into the Front Panel as shown.

6. Lay the cabinet on it's back so the underside of the cabinet floor is accessible. Fix the Floor Panel into place with 1 screw for the Cabinet 1865 and 2 screws for the Cabinet 2000. These go through the Floor Panel into the Rear Panel in the hole/s provided on the underside of the cabinet floor at the rear.

7. At the desired shelf heights fit the Side Shelf Clips into the Front and Rear Panels as shown. At the same heights fit the Middle Shelf Clip into the centre of the Rear Panel as shown. Angle each shelf level into place on top of the clips – it's easiest to do one shelf level at a time from the bottom upward. Optional: secure each shelf level into place with the plastic Shelf Security Clips as shown.



CABINET COMPLETE!

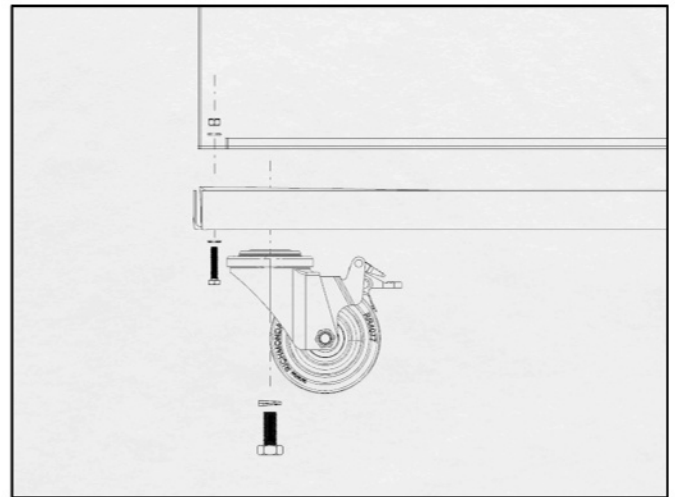
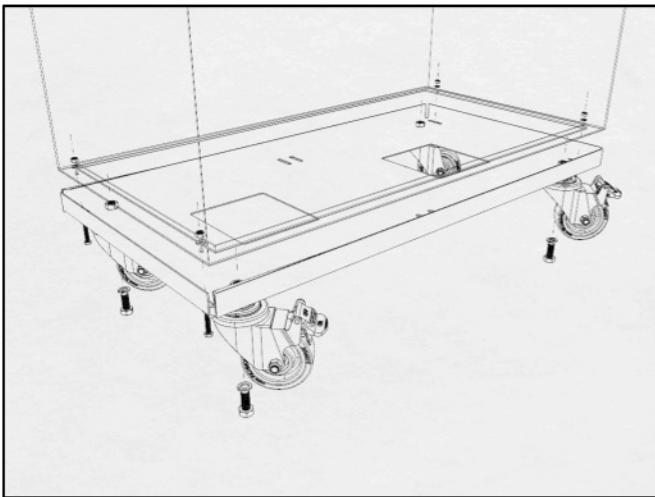
(OPTIONAL) ATTACH THE BASE PLATE

1. Lay the assembled Steel Cabinet on its back [Tip: use the cardboard packaging to protect the Cabinet from scratches]. Slide the Base Plate into position - the Base Plate returns should surround the bottom sides of the Steel Cabinet.
2. Secure the Base Plate to the Steel Cabinet with the 4 x M6 bolts, washers and nuts, as shown below, through the pre drilled holes in the base of the Steel Cabinet. Access the nuts and washers via the cavity holes in the Base Plate. Ensure the nuts and bolts are secured tightly.
3. **CASTOR WHEELS:** Using the M12 bolt and spring washer provided, secure the four Castor Wheels to the Base Plate into the pre-welded nut. Make sure the two Braked Castor Wheels are at the front of the Steel Cabinet. Ensure the bolt is secured tightly and the spring washer is fully compressed.

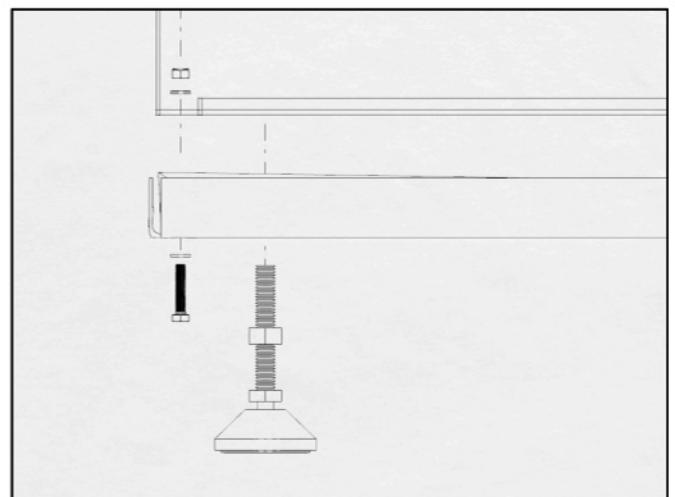
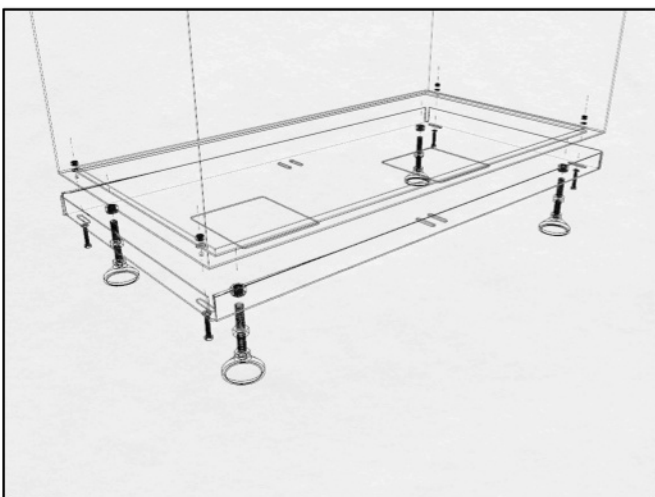
OR

LEVELLING FEET: Screw the four Levelling Feet directly into the pre-welded nuts of the Base Plate and adjust as required once upright. Once levelled, tighten the intermediate nuts to firm the Levelling Feet.

CASTOR WHEELS



LEVELLING FEET



BASE PLATE COMPLETE!